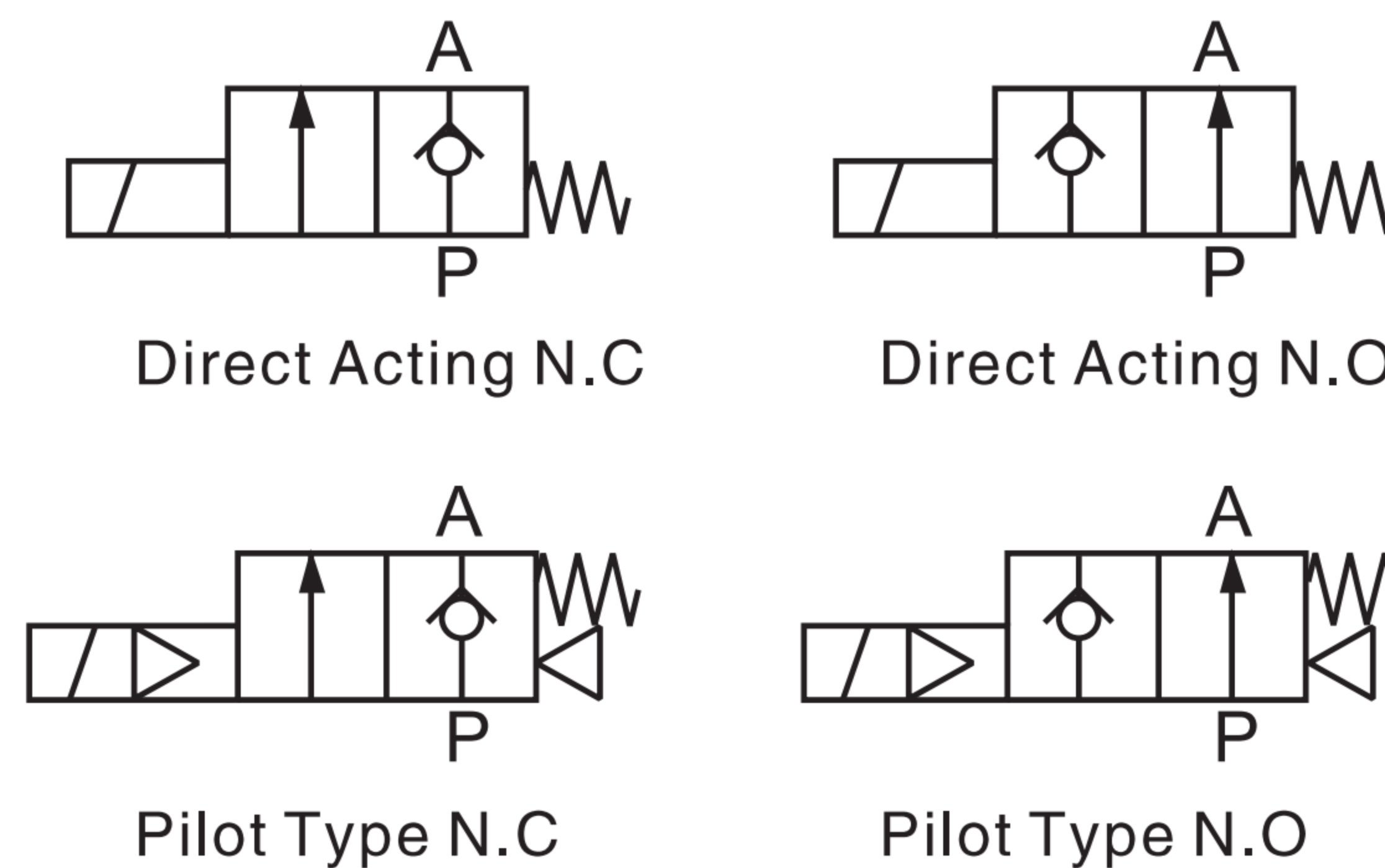


## ELP

### Solenoid Valve

2

ELP



### How to Order ?

| Series | Port Size | Original Status        | Orifice                                       | ID Code | Voltage    | Cover Color  | Valve Body Material | Seal Material  | Thread Type                 |
|--------|-----------|------------------------|---|---------|------------|--|---------------------|--|-----------------------------|
| ELP    |           | Blank: N.C.<br>H: N.O. | Blank: Standard Type<br>N: Energy Saving Type |         |            |  | Blank: Brass        | Blank: NBR<br>E: EPDM<br>V: VITON<br>(Only VITON is available for 1/8", 1/4" port)<br>VITON is standard for 1/4" and 1/8", keep this code blank. | Blank: G<br>P: PT<br>T: NPT |
|        | 06: 1/8"  |                        | 015: 1.5mm                                    |         | E1: AC110V |  |                     |  |                             |
|        | 08: 1/4"  |                        | 020: 2.0mm                                    |         | E2: AC220V | Blank: Black<br>(only for DBK waterproof type)     |                     |  |                             |
|        |           |                        | 030: 3.0mm                                    |         | E4: DC24V  | J: Colorless and translucent<br>(only for DB type) |                     |  |                             |
|        | 10: 3/8"  |                        | 040: 4.0mm                                    |         | E5: DC12V  |  |                     |  |                             |
|        | 15: 1/2"  |                        | 150: 15mm                                     |         | E7: AC24V  |  |                     |  |                             |
|        | 20: 3/4"  |                        | 200: 20mm                                     |         |            |  |                     |  |                             |
|        | 25: 1"    |                        | 250: 25mm                                     |         |            |  |                     |  |                             |

(Note: If orifice size same with port size, omit the orifice size.)

#### Order Example:

ELP series solenoid valve, 1/2 port size, N.C., 15mm orifice, AC220V, black cover color, brass valve body, NBR seal, G thread, ERP code is: ELP15-150E2

### Product Features

- \* 2/2 N.C./N.O solenoid valve, brass valve body, compact design, saving space.
- \* Three types seals are optional, including NBR, EPDM and VITON, catering to different medium requirements.
- \* Direct acting solenoid valve with VITON seal, 4 pressure types are optional: standard, high pressure, ultra high pressure and large flow type.
- \* Well sealed water proof connector, protection grade of IP65.
- \* Reduce power consumption up to 80%.

### Specifications

| Model                       | Direct Acting N.C.  |             |             |             |             |             |             |             | Direct Acting N.O.  |              |              |              |              |              |              |              |
|-----------------------------|---|-------------|-------------|-------------|-------------|-------------|-------------|-------------|---|--------------|--------------|--------------|--------------|--------------|--------------|--------------|
|                             | ELP06-015-V   | ELP08-015-V | ELP06-020-V | ELP08-020-V | ELP06-030-V | ELP08-030-V | ELP06-040-V | ELP08-040-V | ELP06H-015-V  | ELP08H-015-V | ELP06H-020-V | ELP08H-020-V | ELP06H-030-V | ELP08H-030-V | ELP06H-040-V | ELP08H-040-V |
| Port Size                   | 1/8"  | 1/4"        | 1/8"        | 1/4"        | 1/8"        | 1/4"        | 1/8"        | 1/4"        | 1/8"  | 1/4"         | 1/8"         | 1/4"         | 1/8"         | 1/4"         | 1/8"         | 1/4"         |
| Orifice ( mm ) ①            | 1.5   |             | 2           |             | 3           |             | 4           |             | 1.5   |              | 2            |              | 3            |              | 4            |              |
| Cv                          | 0.1   |             | 0.18        |             | 0.33        |             | 0.55        |             | 0.1   |              | 0.18         |              | 0.33         |              | 0.55         |              |
| Pressure Difference ( Bar ) | 0 ~ 30  |             | 0 ~ 20      |             | 0 ~ 13      |             | 0 ~ 8       |             | 0 ~ 30  |              | 0 ~ 16       |              | 0 ~ 8        |              | 0 ~ 5        |              |
| Acting Type                 | Direct Acting NC.   |             |             |             |             |             |             |             | Direct Acting NO.   |              |              |              |              |              |              |              |
| Power consumption           | Standard type: AC:15VA DC10W Low power type: AC:4VA DC3W AC110V:7.0VA |             |             |             |             |             |             |             | Standard type: AC:12VA DC10W Low power type: AC:4VA DC3W AC110V:7.0VA |              |              |              |              |              |              |              |
| Guaranteed Pressure ( Bar ) | 45  |             |             |             |             |             |             |             |   |              |              |              |              |              |              |              |
| Medium                      | Air, Water, Hot water, Oil ( ≤20CST )                                 |             |             |             |             |             |             |             |   |              |              |              |              |              |              |              |
| Working Temperature ( °C )  | -20 ~ 80 ( No freezing )  |             |             |             |             |             |             |             |   |              |              |              |              |              |              |              |
| Voltage Range               | -15 ~ 10%   |             |             |             |             |             |             |             |   |              |              |              |              |              |              |              |
| Insulations                 | F Class   |             |             |             |             |             |             |             |   |              |              |              |              |              |              |              |
| Protection grade            | IP65(DIN40050)  |             |             |             |             |             |             |             |   |              |              |              |              |              |              |              |
| Valve Body Material         | Brass   |             |             |             |             |             |             |             |   |              |              |              |              |              |              |              |
| Seal Material               | VITON only  |             |             |             |             |             |             |             |   |              |              |              |              |              |              |              |

① G, PT, NPT thread type is optional.

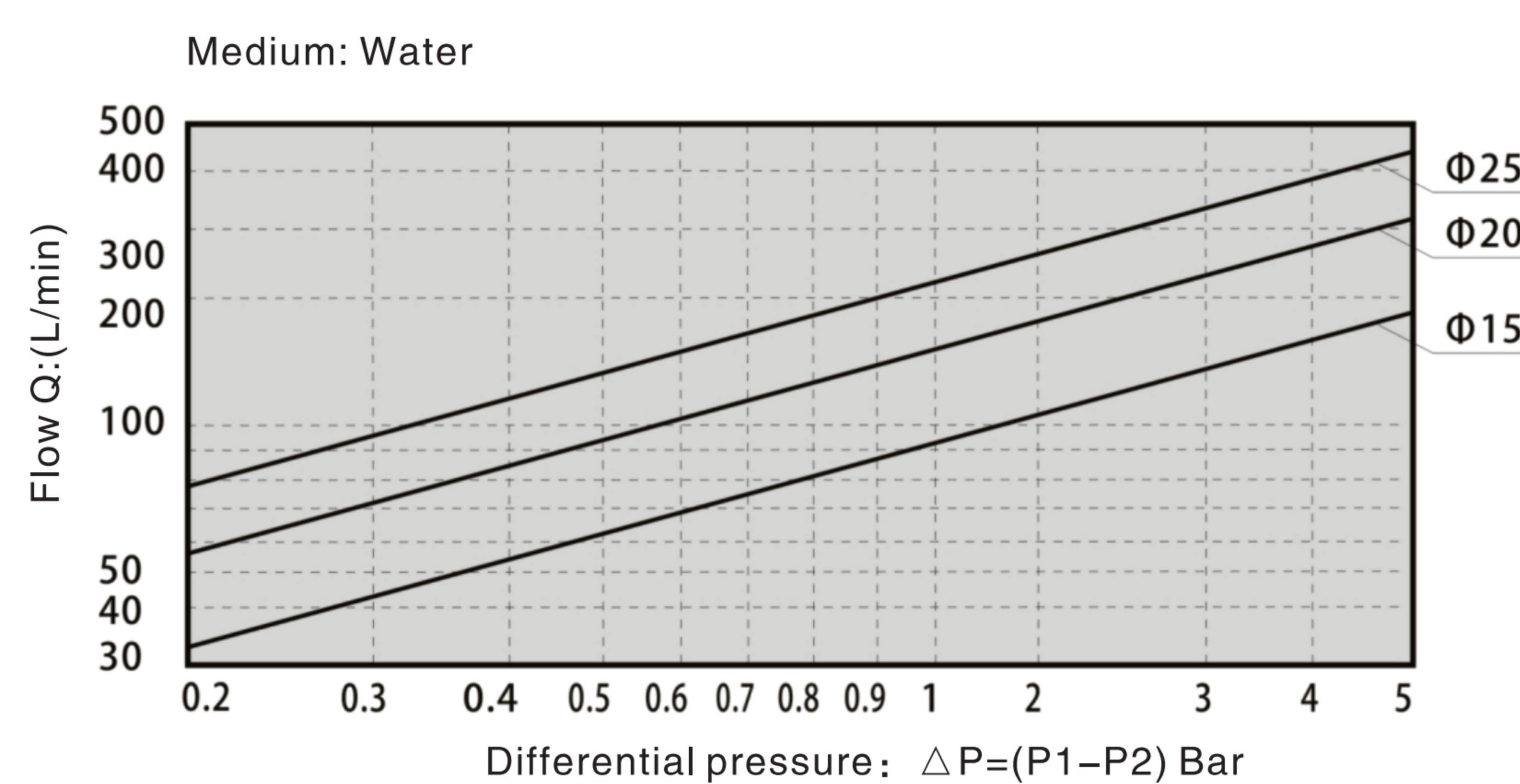
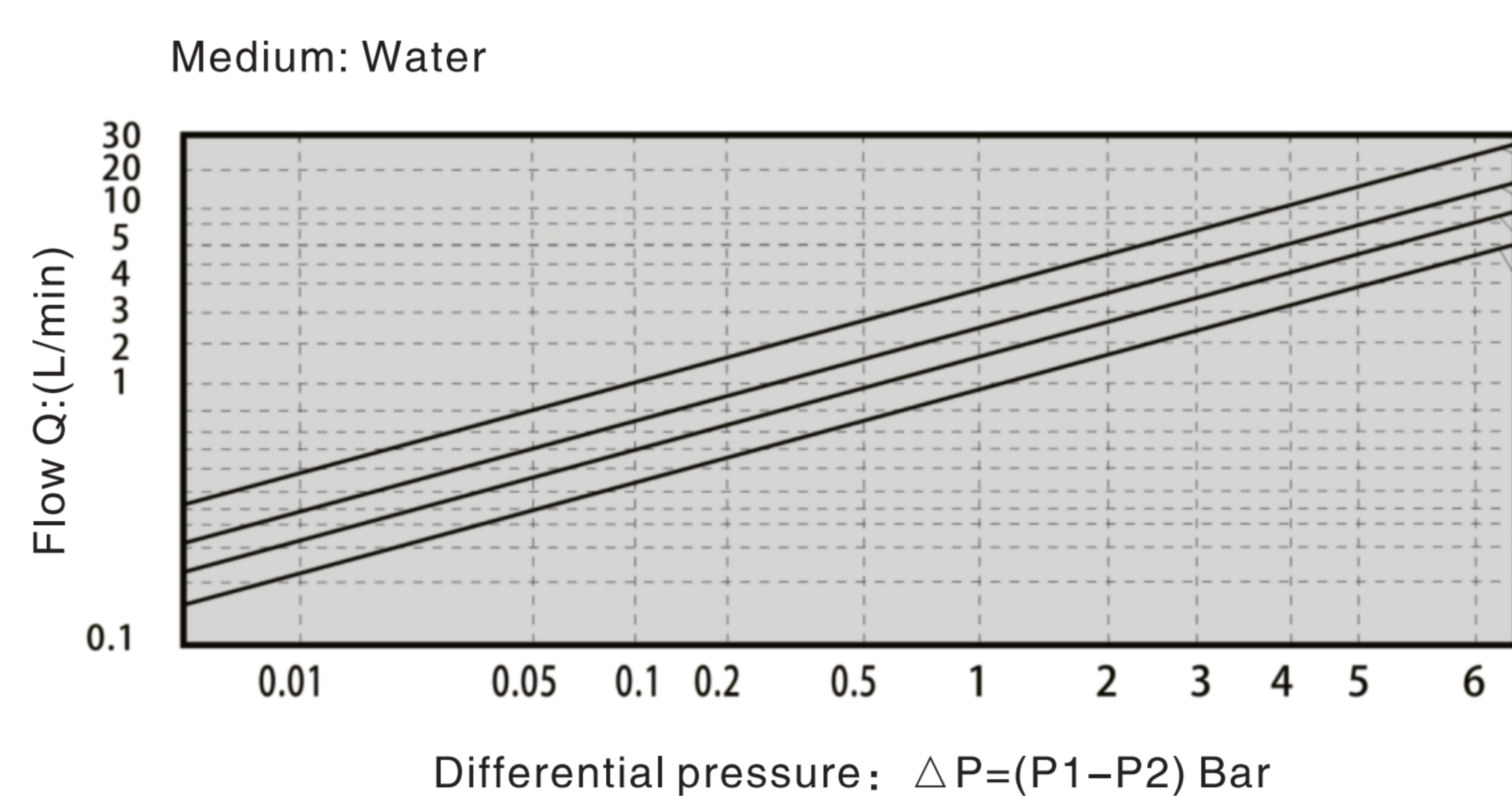
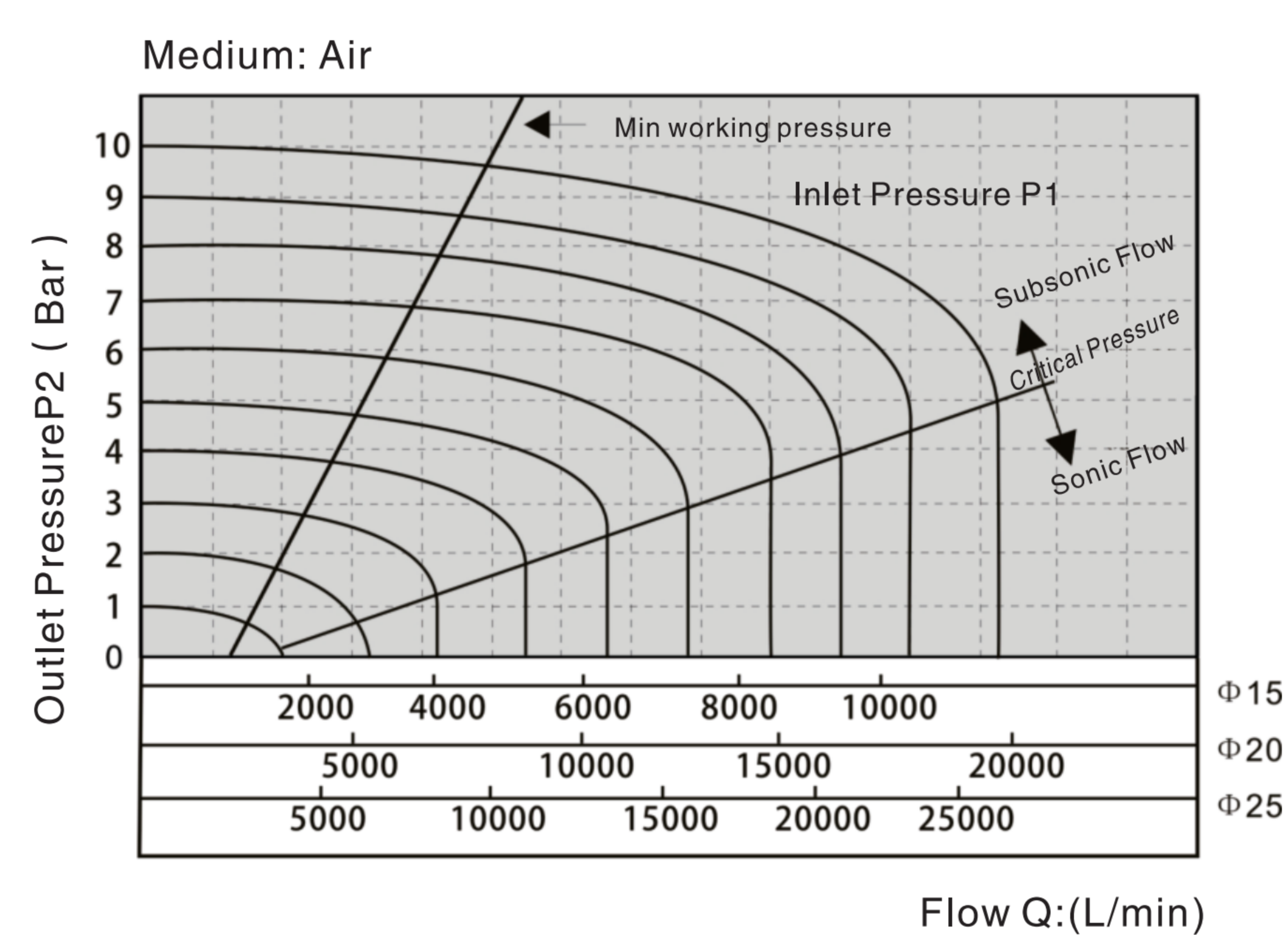
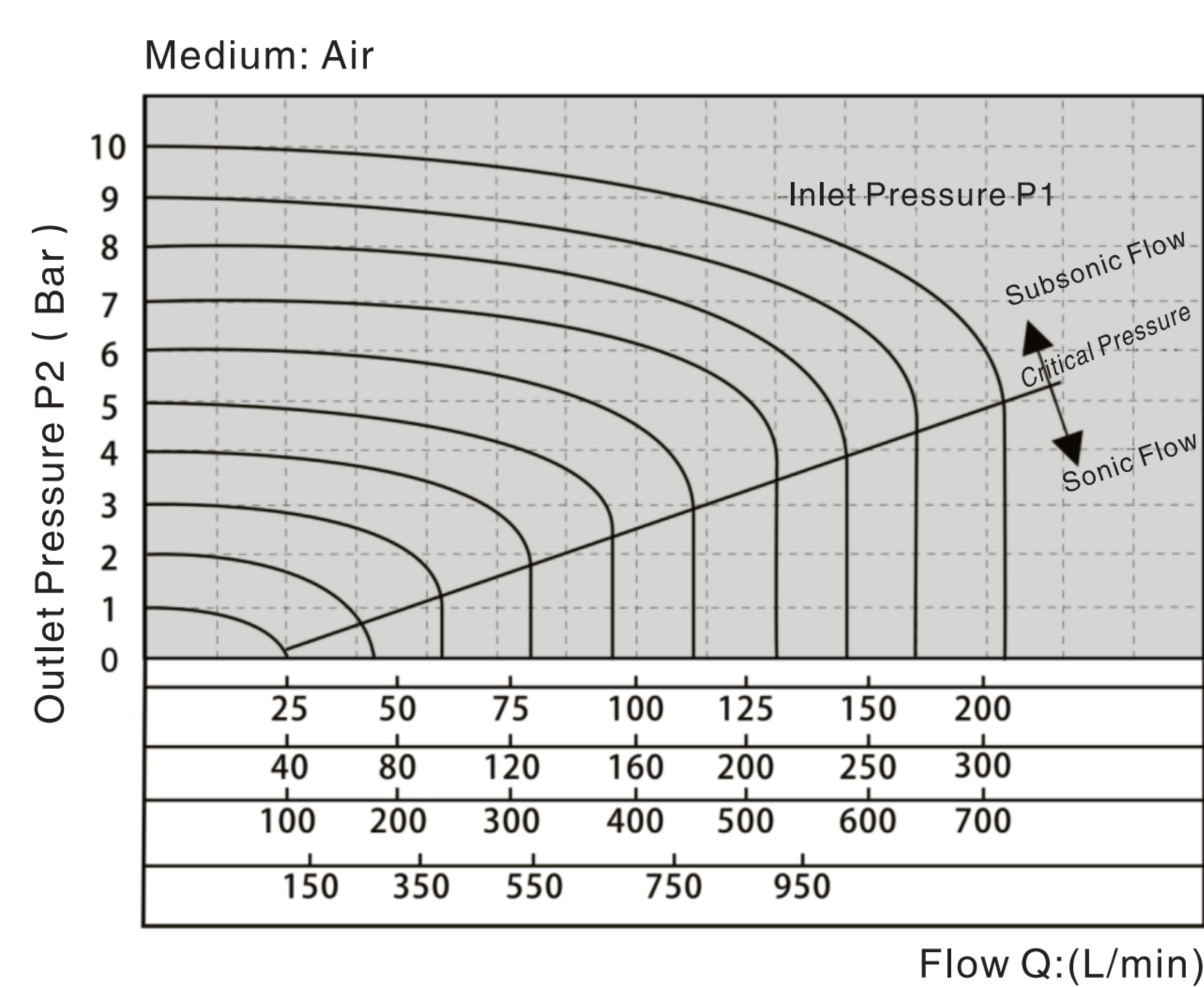
# ELP Series Solenoid Valve

## Specifications

| Model                       | Pilot Type N.C.   |       |       |       | Pilot Type N.O.   |        |        |        |
|-----------------------------|---|-------|-------|-------|---|--------|--------|--------|
| Code                        | ELP10-150   | ELP15 | ELP20 | ELP25 | ELP10H-150  | ELP15H | ELP20H | ELP25H |
| Port Size ❶                 | 3/8"  | 1/2"  | 3/4"  | 1"    | 3/8"  | 1/2"   | 3/4"   | 1"     |
| Orifice ( mm )              | 15  |       |       |       | 15  |        |        |        |
| Cv                          | 5.0   | 5.5   | 9.5   | 12.5  | 5.0   | 5.5    | 9.5    | 12.5   |
| Pressure Difference ( Bar ) | 0.5~16  |       |       |       | 0.5 ~ 10  |        |        |        |
| Acting Type                 | Diaphragm pilot type N.C  |       |       |       | Diaphragm pilot type N.O  |        |        |        |
| Power consumption           | Standard type: AC:15VA DC10W Low power type: AC:4VA DC3W AC110V:7.0VA |       |       |       | Standard type: AC:12VA DC10W Low power type: AC:4VA DC3W AC110V:7.0VA |        |        |        |
| Guaranteed Pressure ( Bar ) | 25  |       |       |       | 20  |        |        |        |
| Medium                      | Air, Water, Hot water, Oil ( ≤20CST )                                 |       |       |       |   |        |        |        |
| Working Temperature ( °C )  | -20 ~ 80 ( No freezing )  |       |       |       |   |        |        |        |
| Voltage Range               | -15 ~ 10%   |       |       |       |   |        |        |        |
| Insulations                 | F Class   |       |       |       |   |        |        |        |
| Protection grade            | IP65(DIN40050)  |       |       |       |   |        |        |        |
| Valve Body Material         | Brass   |       |       |       |   |        |        |        |
| Seal Material               | NBR, EPDM, VITON  |       |       |       |   |        |        |        |

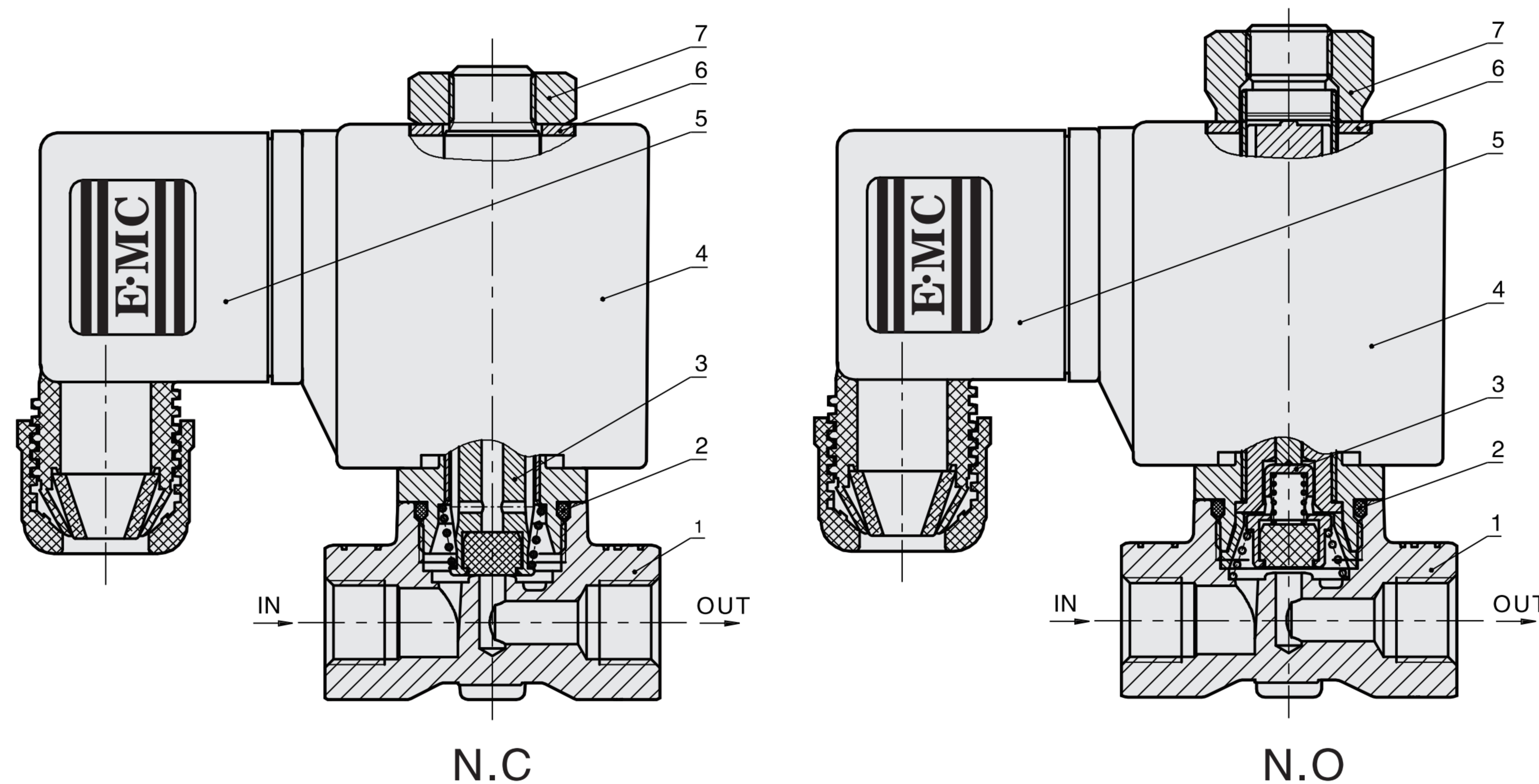
❶ G, PT, NPT thread type is optional.

## Flow Chat



## Internal Structure

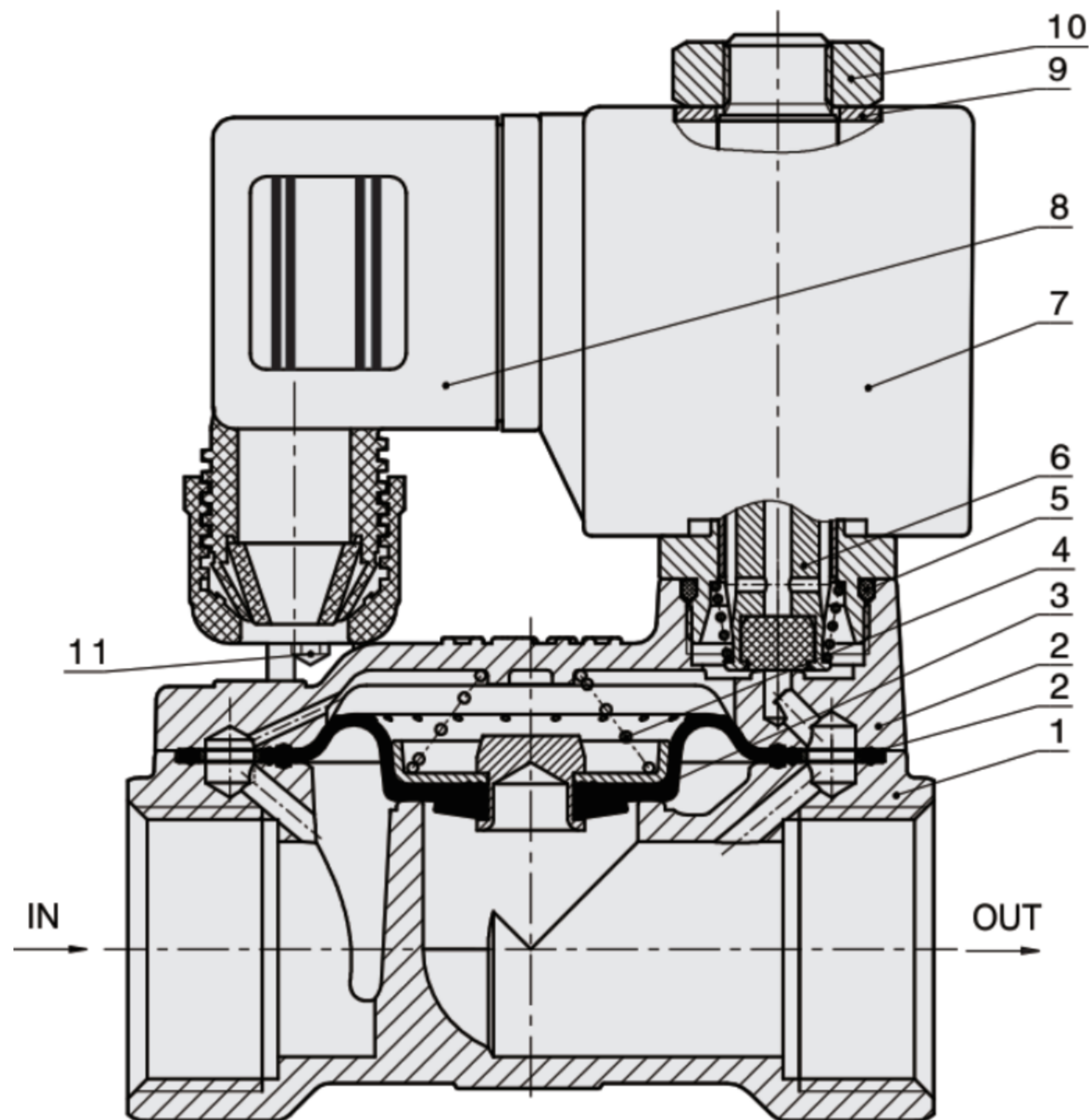
ELP06/08 Direct Acting Type:



| No. | Part Name             |
|-----|-----------------------|
| 1   | Valve Body            |
| 2   | O-ring                |
| 3   | Iron Core Components  |
| 4   | Coil                  |
| 5   | Water Proof Connector |
| 6   | Internal Teeth Washer |
| 7   | Hexagon nut           |

## Internal Structure

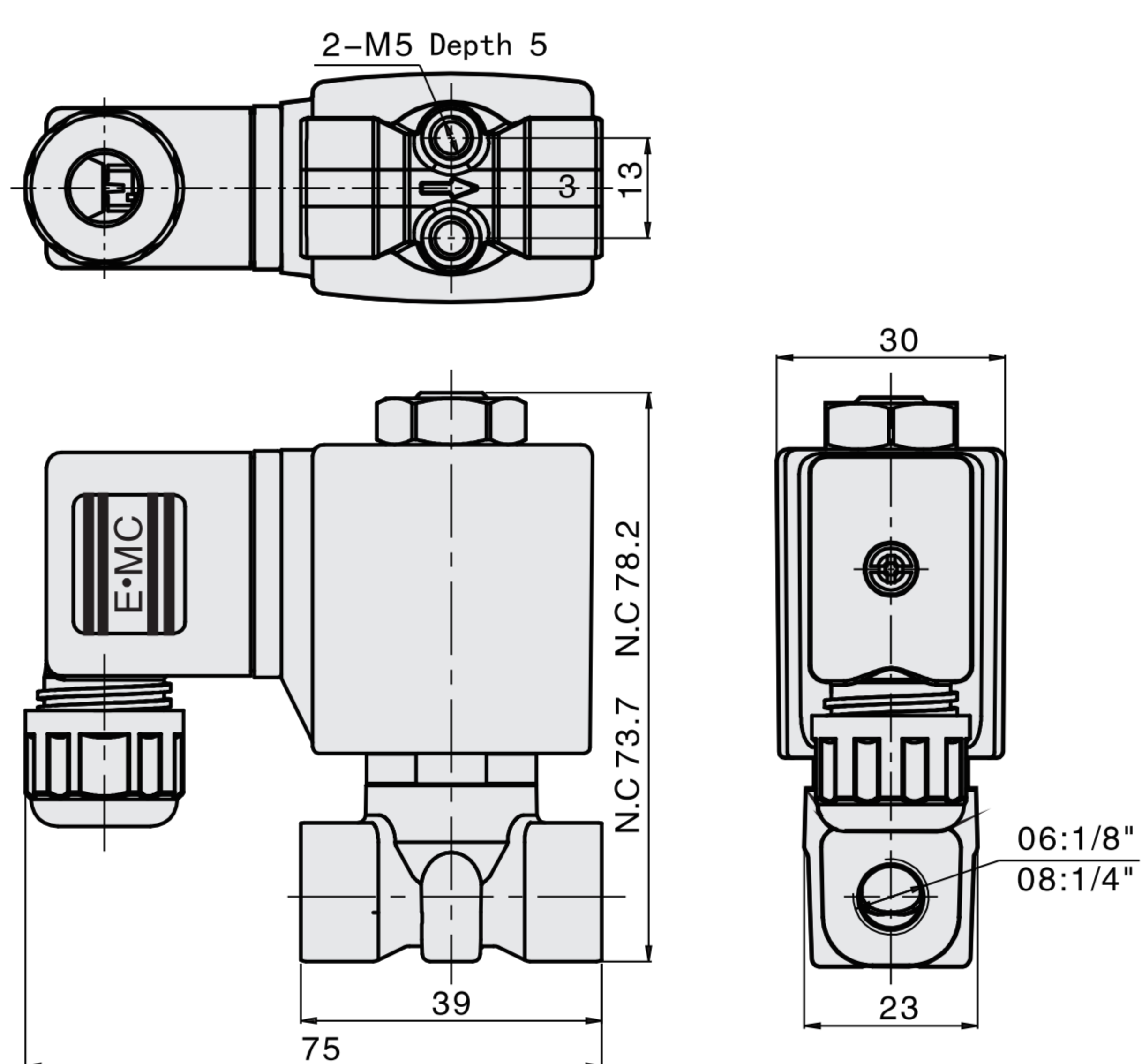
Pilot Type



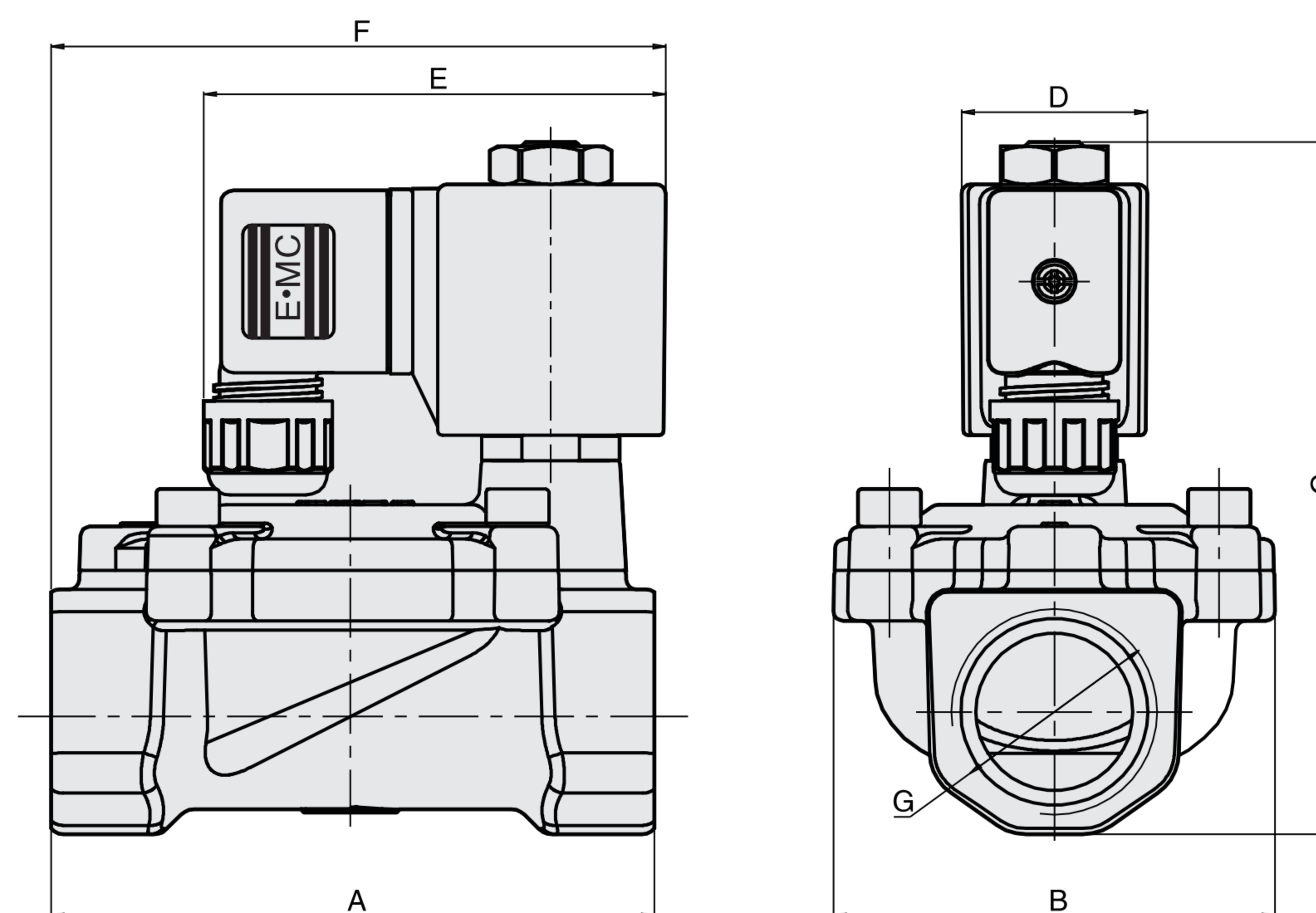
| No. | Part Name             |
|-----|-----------------------|
| 1   | Valve Body            |
| 2   | Spacer                |
| 3   | Diaphragm Components  |
| 4   | Spring                |
| 5   | O-ring                |
| 6   | Iron Core Components  |
| 7   | Coil                  |
| 8   | Water Proof Connector |
| 9   | Internal Teeth Washer |
| 10  | Hexagon Nut           |
| 11  | Screw                 |

## Mounting Dimension

ELP06/08 Direct Acting Type



Pilot Type



| Model | A  | B  | C   |       | D  | E  | F  | G(Port) |
|-------|----|----|-----|-------|----|----|----|---------|
|       |    |    | N.C | N.O   |    |    |    |         |
| ELP10 | 66 | 47 | 95  | 99.2  | 30 | 74 | 74 | 3/8"    |
| ELP15 | 66 | 47 | 95  | 99.2  | 30 | 74 | 74 | 1/2"    |
| ELP20 | 75 | 56 | 102 | 106.2 | 30 | 74 | 79 | 3/4"    |
| ELP25 | 96 | 71 | 111 | 115.2 | 30 | 74 | 98 | 1"      |