

Type 22-4R—FLANGED VALVES

TECHNICAL FEATURES



Type of control:	Pressure operating dosing valve	Viscosity:	600 mm ² /s
Design:	Seat valve with cone-type piston	Temperature range:	Medium -40 °C bis +200 °C Ambient -10 °C bis +60 °C
Connection:	Flanged DN15 - DN100 DIN EN 1092-1 Form B1/B2 <i>Further connections like ASME on request</i>	Body material:	Cast iron EN-GJL-250 Cast steel GP240 GH Stainless steel 1.4408
Installation:	Preferable with actuator upright	Metallic inner parts:	Brass and stainless steel
Pressure range:	0 - 40 bar	Sealing:	PTFE
Medium:	Clean, neutral, liquid or gaseous		

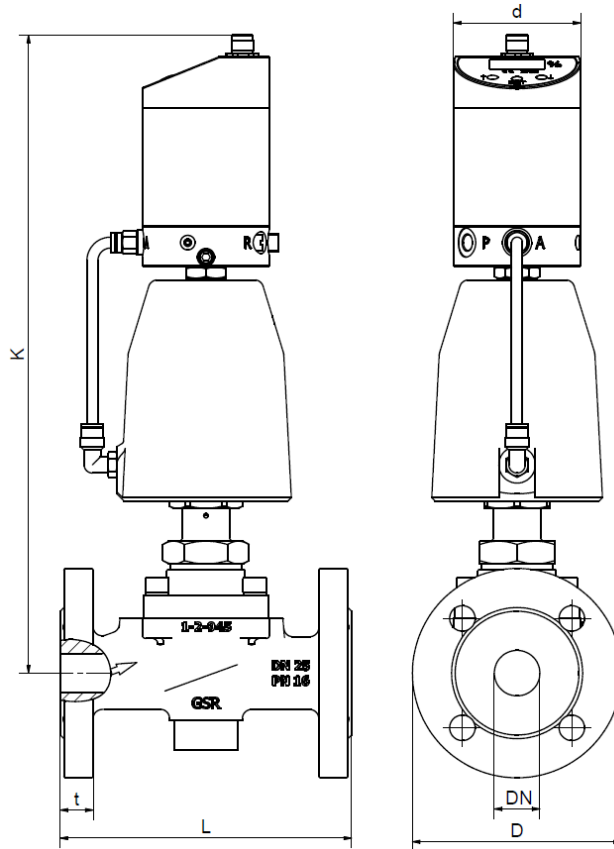
Version with cast iron body

DN	Type	Actuator	Seat mm	Pressure bar	Kv-Value in m ³ /h at opening in %				
					10%	25%	50%	75%	100%
20	.2202/0404/	7015-4R	20	0-7,5					
25	.2203/0404/	7015-4R 7058-4R	25	0-7,5 0-13					
32	.2204/0404/	7015-4R 7058-4R	32	0-1 0-6					
40	.2205/0404/	7015-4R 7058-4R	40	0-1 0-6					
50	.2206/0404/	7058-4R 7063-4R	50	0-4 0-13					
65	.2207/0404/	7058-4R 7063-4R	65	0-1 0-10					
80	.2208/0404/	7063-4R	80	0-5					
100	.2209/0404/	7063-4R	100	0-3					

Version with cast steel and stainless steel body

DN	Type	Actuator	Seat mm	Druck bar	Kv-Value in m ³ /h at opening in %				
					10%	25%	50%	75%	100%
15	.2201/0504/	7015-4R 7058-4R	15	0-12 0-40					
20	.2202/0504/	7015-4R 7058-4R	20	0-7,5 0-15					
25	.2203/0504/	7015-4R 7058-4R	25	0-7,5 0-15					
32	.2204/0504/	7015-4R 7058-4R	32	0-1 0-6					
40	.2205/0504/	7015-4R 7058-4R	40	0-1 0-6					
50	.2206/0504/	7058-4R 7063-4R	50	0-4 0-16					
65	.2207/05(08)04/	7058-4R 7063-4R	65	0-1 0-10					
80	.2208/05(08)04/	7063-4R	80	0-5					
100	.2209/05(08)04/	7063-4R	100	0-3					

Type 22-4R—FLANGED VALVES DIMENSIONS



Actuator	7015-4R					7058-4R					7063-4R			
	Type	2201	2202	2203	2204	2205	2201	2202	2203	2204	2205	2206	2207	2208
DN	15	20	25	32	40	15	20	25	32	40	50	65	80	100
d	70	70	70	70	70	70	70	70	70	70	70	70	70	70
D	95	105	115	140	150	95	105	115	140	150	165	185	200	220
K	229,5	239,5	249,5	274,5	284,5	229,5	239,5	249,5	274,5	284,5	299,5	319,5	334,5	369,5
L	130	150	160	180	200	130	150	160	180	200	230	290	310	350
t	16	18	18	18	18	16	18	18	18	18	20	20	25	25
kg	4,0	4,2	6,0	8,7	9,2	4,3	5,6	6,2	8,8	9,4	12,6	16,4	25,4	40,0

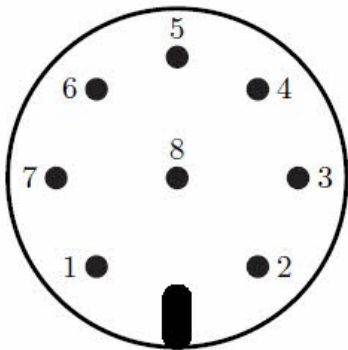
ORDERING CODE

Type	Connection	Body material	Seal material	Actuator	Actuator size	Valve options									
. 2 2	0 6	/	0 5	0 4	/	7 5	6 3	-	4 R						
01 DN15	02 DN20	03 DN25	04 DN32	05 DN40	06 DN50	07 DN65	08 DN80	09 DN100	04 EN-GJL-250	05 GP240 GH	08 St. steel 1.4408	04 PTFE	71 Standard	15 50 mm	4R Positioner
													75 Nickel plated	55 50 mm	
														58 80 mm	
														63 125 mm	

INFORMATIONEN

- It is imperative to observe the installation and safety instructions in our operating and service manuals.
- Required ordering information: valve type, function NC/NO, pressure range, connection, nominal width, medium, flow rate, medium and ambient temperatures, connection voltage.
- **Detailed production-specific drawings and other technical information will be made available when an order is placed.**

ELECTRICAL CONNECTION



Pin 1 = white	Outlet 2	0-5 VDC - digital / constant
Pin 2 = brown	Supply voltage	24 VDC
Pin 3 = green	Ground	0 V
Pin 4 = yellow	Input signal	0-10 VDC
Pin 5 = gray	Output signal	0-10 VDC
Pin 6 = pink	Output 1	0-5 VDC - digital / constant
Pin 7 = blue	Input signal	4-20 mA
Pin 8 = red	Output signal	4-20 mA

Note:
The connected cable to the positioner must not be longer than 30 meters.

Pease note

Each individual application decides which valve type is required, the main factor being the resistance of the materials to the operating medium. The correct selection of materials requires knowledge of the concentration, temperature and degree of contamination of the medium. Other criteria include the operating pressure and max. volumetric flow, since, in addition to high temperatures, high pressures and high flow rates must also be taken into account when selecting the materials.

All materials used for our valves, be it housing, seals or magnets, will be carefully selected in view of the different application areas. Any information given is non-binding and serves for orientation only. No claims under warranty can be derived therefrom.

The GSR logo is a registered trademark of GSR Ventiltechnik GmbH & Co. KG.

Note: All texts and images are the property of GSR Ventiltechnik GmbH & Co. KG and must not be replicated or modified, not even in part, without written approval. Original products may differ from the product images shown, due to different materials and the like.