



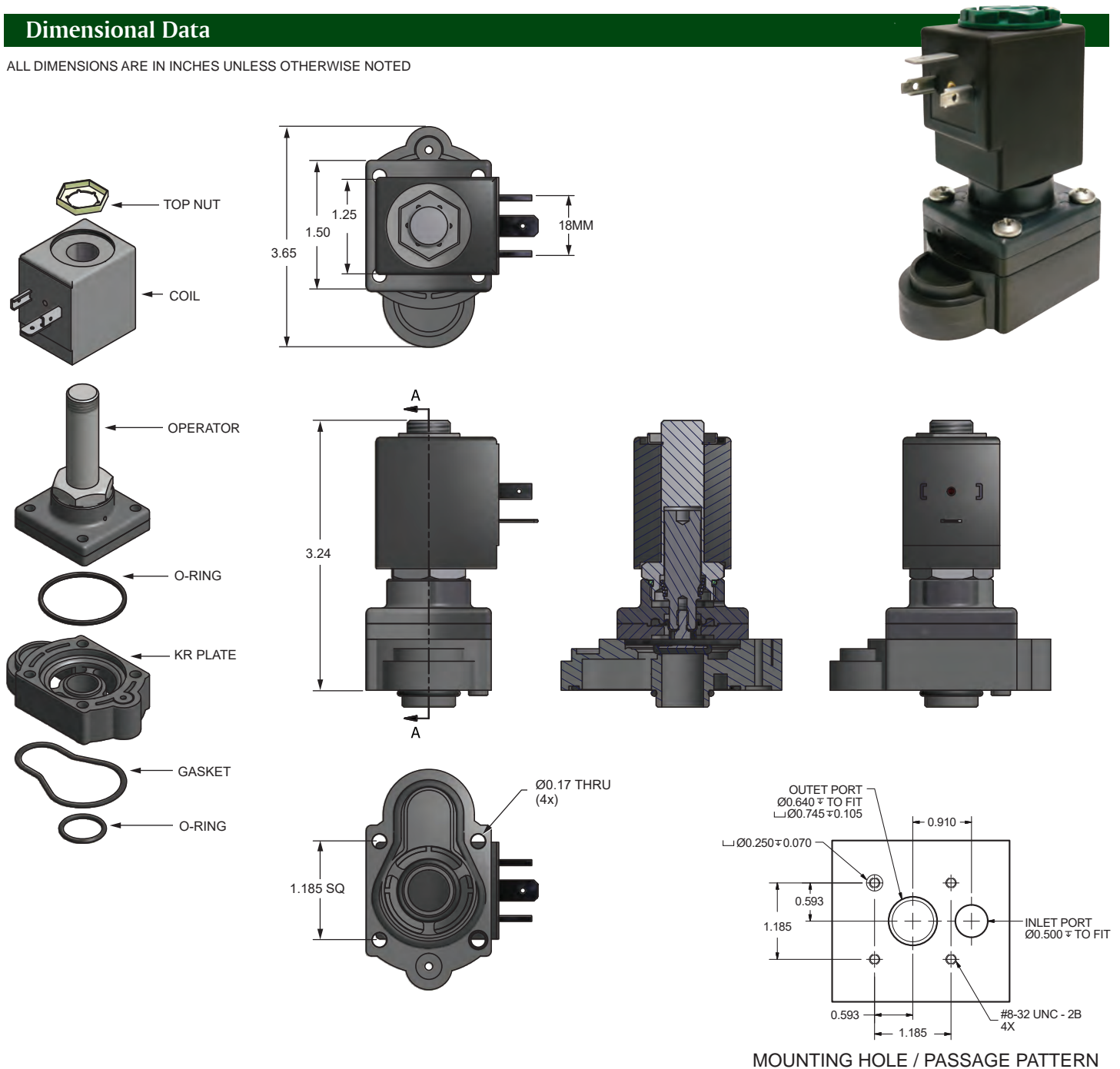
# Series 4DKR

## Media Separated 2-Way Manifold Mount

The Spartan Scientific 4DKR is a direct operating 2-way 2-position media separated valve for control of aggressive media that can damage wetted solenoid valve components. This unique valve design incorporates the innovative Spring Diaphragm which retains the media in the valve body effectively separating the metal operator components from the media for extremely long life cycles and media compatibility. The 4DKR is a sub-based valve designed to be mounted on a manifold machined to match the design template for mounting screws and flow paths. The design is made so that the manifold can be easily machined using common tools so that common passageways can be machined in a block with one inlet and many outlets reducing the size needed for an installation as well as leak points and fittings with corresponding labor. The valve offers a full flow 12.5mm orifice and can control media compatible with Glass-Filled Nylon, PEI, FKM, EPDM, and NBR elastomers. Available in all standard voltages, the 4DKR can control up to 20 PSI inlet pressure with no minimum operating pressure differential. The fully nylon encapsulated coils are available as DIN 43560 Form A or flying leads. The 4DKR valve body features robust design elements such as all stainless hardware and is designed for a long trouble free life while still controlling compatible aggressive fluids.

### Dimensional Data

ALL DIMENSIONS ARE IN INCHES UNLESS OTHERWISE NOTED





# Series 4DKR

Media Separated  
2-Way Manifold Mount

## Technical Data

**Function:** 2-Way, 2-Position; Media Separated;  
Normally Closed

**Orifice Sizes /  
Flow Factor:** 12.5mm  
2.45 Cv

**Pressure Range:** 0 to 20 psi

**Temp. Range:** Fluid Max.: +60°C  
Dry Range: Ambient -10° to +55°C

**Response Time:** 16 to 40ms Complete Cycle

**Media:** Air, light oil, noble gases, water  
(contact factory for compatibilities)

**Environment  
Protection:** IP65 (IEC 144), NEMA 4  
Dust-tight and water resistant (with electrical connector)

**Mounting:** Ø0.18" thru (4)

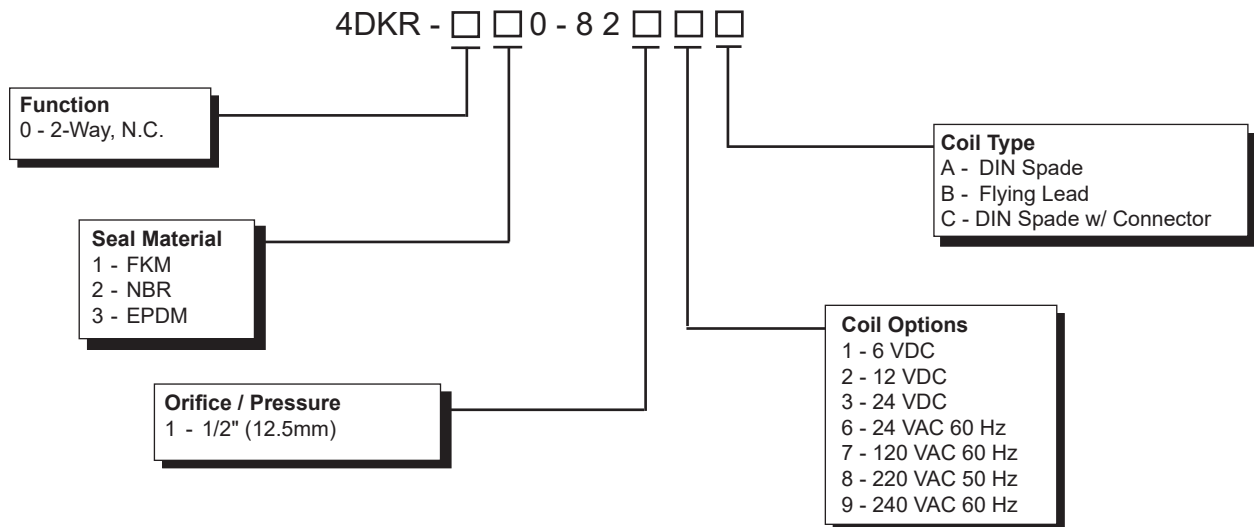
**Wetted Materials:** Elastomers: EPDM, FKM, NBR  
Armature Assembly: 300 and 400 Series Stainless Steel  
Orifice Plate: PEI  
Valve Body: Glass-Filled Nylon

**Coil Data:** Duty Cycle: Continuous (within specifications)  
Encapsulation: Glass-Filled Nylon  
Insulation: Class F  
Power Rating: 10 Watt VDC, 8 VAC  
(others available on request)  
Voltage: 6, 12, 24 VDC  
24, 120, 220, 240 VAC 50/60 Hz  
Voltage Tolerance: +/- 10% Nominal  
Winding: Class H

**Connections:** Spades: Accordance with DIN Style "A" EN175301-803  
Flying Lead: PVC, 18 AWG or 22 AWG, Multi-Strand  
Copper Wire, 300V, 12" minimum length

**Packaged Weight:** 0.575 lbs.

## How To Order



Order Example: 4DKR-010-8217A  
FKM, 1/2" Orifice., 120 VAC 60 Hz, DIN Spade