

# PROPORTIONAL VALVES 4R



2/2-way dosing valve

Pressure operated dosing valve with electro-pneumatic positioner for dosing applications

■ Dosing valve for gaseous and liquid media

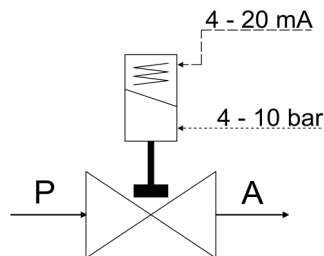
## TECHNICAL SPECS CONTROLLER

Supply voltage:	24 VDC
Voltage tolerance:	-5% / +10%
Power consumption:	100 mA
Power:	2,4 Watt
Input signal:	4-20 mA (basic setting) optional 0-10 V (selectable by menu)
Output signal:	According to the input signal (selectable independent to the input signal)
Protection class:	IP65 acc. to DIN 60529
Connection of control	G 1/8
Control medium:	Clean and neutral gases
Control pressure:	4 - 10 bar
Quality:	Compressed air class 3 (Medium quality acc. to ISO 8573-1)

## VALVE FEATURES

- Ideal for continuous media control
- Even in higher temperature ranges
- High dosing accuracy
- High control accuracy
- Three safety-setting-options: (open/closed/remain)
- No additional electronics required for adjustment
- CE acc. to EMV DIN EN 61000
- ROHS
- Reverse polarity protection

## FUNCTION



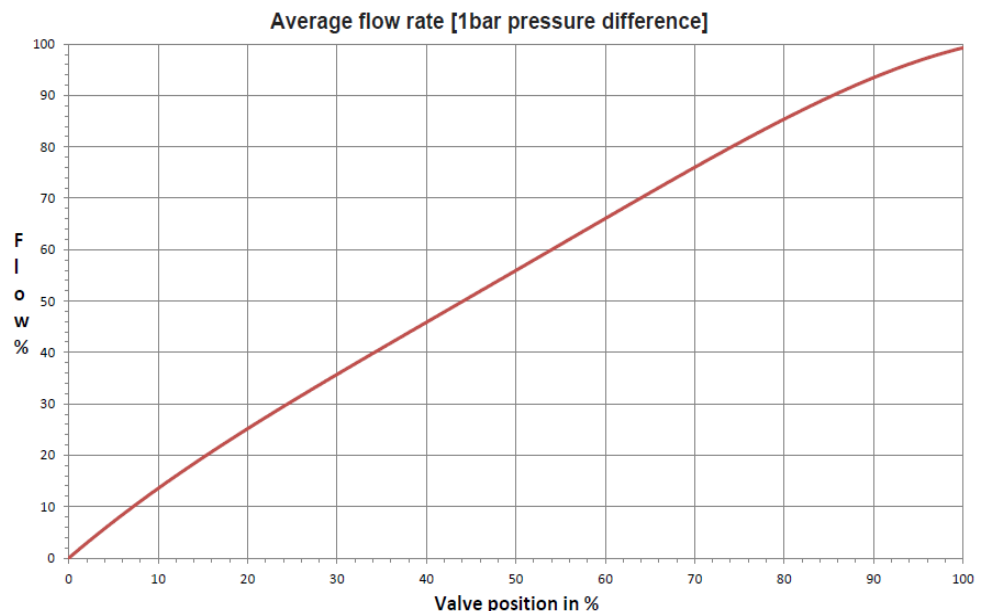
## CONTROL BEHAVIOR

Acquisition range:	0 - 23 mm
Resolution:	0,5% o. max. stroke
Repeat accuracy:	> 99%
Hysteresis:	< 1%
Responsiveness:	< 1%

The characteristic curve shown is valid for all nominal sizes and series.

The corresponding Kv values are shown in the table of the specific valve.

Characteristic determined according to VDI-VDE 2173



# Type 63-4R—ANGLE SEAT VALVES

## TECHNICAL FEATURES

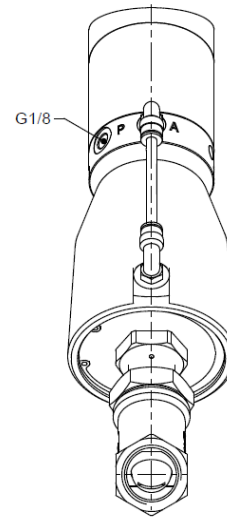
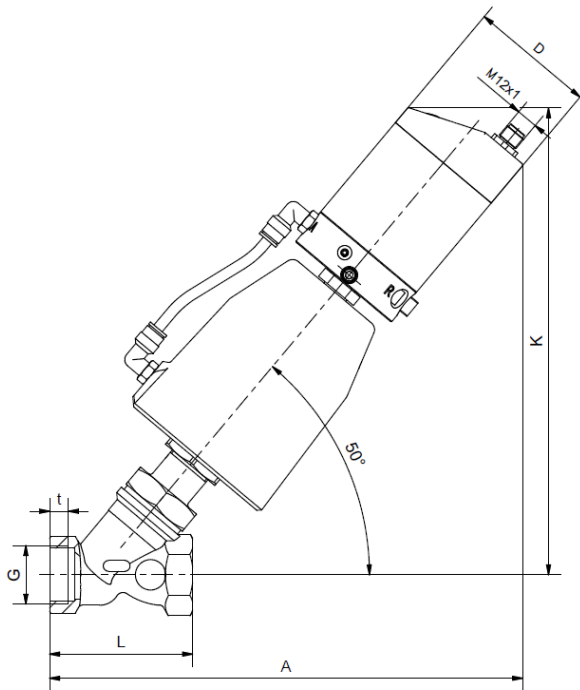


Type of control:	Pressure operating dosing valve	Viscosity:	600 mm <sup>2</sup> /s
Design:	Seat valve with cone-type piston	Temperature range:	Medium -40 °C bis +200 °C Ambient -10 °C bis +60 °C
Connection:	Threaded G 1/4 - G 2 DIN ISO 228 (BSP) <i>Further connections like NPT on request</i>	Body material:	Red brass RG5 Stainless steel 1.4408
Installation:	Preferable with actuator upright	Metallic inner:	Brass and stainless steel
Pressure range:	0 - 40 bar	Sealing:	PTFE
Medium:	Clean, neutral, liquid or gaseous		

Version with red brass body									
G	Type	Actuator	Seat mm	Pressure bar	Kv-value in m <sup>3</sup> /h at opening in %				
					10%	25%	50%	75%	100%
1/2	.6323/1104/	71.5-4R	12,5	0-16	0,6	1,4	2,4	3,2	3,6
3/4	.6324/1104/	7115-4R	16,0	0-16	0,6	1,2	1,8	2,3	2,6
1	.6325/1104/	7115-4R	23,5	0-10	0,3	0,8	1,4	2,0	2,4
		7158-4R		0-16	0,8	2,1	3,9	5,4	6,2
1 1/4	.6326/1104/	7158-4R	31,0	0-12	8,6	13,9	16,3	18,0	18,6
		7163-4R		0-16	on req.	on req.	on req.	on req.	on req.
1 1/2	.6327/1104/	7158-4R	35,0	0-8	10,7	17,1	21,0	24,0	25,0
		7163-4R		0-16	10,7	18,0	22,2	24,3	26,1
2	.6328/1104/	7158-4R	45,0	0-5	11,0	18,8	24,5	27,0	29,5
		7163-4R		0-16	16,5	25,4	30,0	33,0	34,5

Version with stainless steel body									
G	Type	Actuator	Seat mm	Pressure bar	Kv-value in m <sup>3</sup> /h at opening in %				
					10%	25%	50%	75%	100%
1/2	.6323/0804/	75.5-4R	12,5	0-40	0,6	1,2	1,9	2,6	3,0
3/4	.6324/0804/	7515-4R	18,0	0-20	1,5	2,5	3,8	4,5	4,8
1	.6325/0804/	7515-4R	23,5	0-10	1,5	2,5	3,8	4,7	5,4
		7158-4R		0-22	3,4	6,1	8,8	9,7	10,3
1 1/4	.6326/0804/	7158-4R	31,0	0-12	4,5	9,7	13,7	15,4	16,6
		7163-4R		0-40	8,2	14,6	17,3	18,2	18,7
1 1/2	.6327/0804/	7158-4R	35,0	0-8	8,7	16,6	21,6	23,4	24,6
		7163-4R		0-30	10,8	18,9	22,3	23,6	24,7
2	.6328/0804/	7158-4R	45,0	0-5	4,5	9,5	15,3	18,5	21,5
		7163-4R		0-20	7,7	15,5	21,5	24,7	27,0

# Type 63-4R—ANGLE SEAT VALVES DIMENSIONS



Actuator	7..5			7.58				7.63		
Type	.6323	.6324	.6325	.6325	.6326	.6327	.6328	.6326	.6327	.6328
G	1/2	3/4	1	1	1 1/4	1 1/2	2	1 1/4	1 1/2	2
A	227	229	232	264	273	280	290	315	320	332
D	70	70	70	70	70	70	70	70	70	70
K	219	220	222	260	265	271	280	315	322	330
L [RG5]	66	75	80	80	97	107	124	97	107	124
L [1.4408]	65	75	90	90	110	120	150	110	120	150
t [RG5]	13	14,5	10,5	10,5	12,5	14,5	16,5	12,5	14,5	16,5
t [1.4408]	12	13	15	15	17	19	21	17	19	21
kg	1,9	2,0	2,0	2,8	3,1	3,3	3,9	6,4	6,9	7,2

## ORDERING CODE

. 6 3	2 3	/	0 8	0 4	/	7 5	1 5	-	4 R
Type	Connection		Body material	Seal material		Actuator	Actuator size		Valve options
	23 G 1/2		08 St. steel 1.4408	04 PTFE		71 Standard	15 50 mm		4R Positioner
	24 G 3/4		11 Red brass RG5			75 chem. nickel pl.	55 50 mm		
	25 G 1						58 80 mm		
	26 G 1 1/4						63 125 mm		
	27 G 1 1/2								
	28 G 2								