

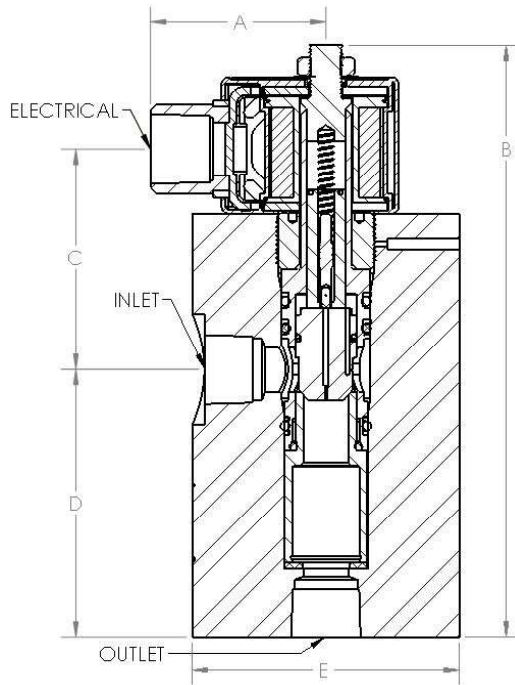
EH50 SERIES 1/2" PIPE SIZE



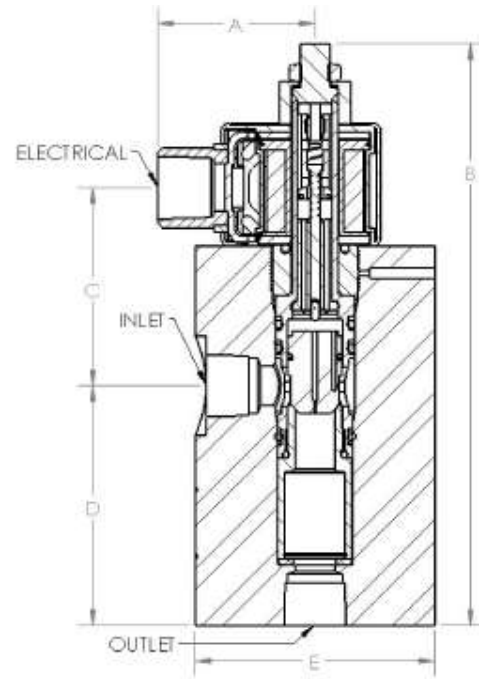
Features:

The full port EH50 offers a wide range of solutions for your application needs, and is best used to control the flow of high pressure air, water, natural gas, hydrogen, nitrogen and other gases or light liquids compatible with materials of construction. This pilot operated valve is a great choice for differential pressures as high as 10,000 PSI. The valve comes in a 1/2" NPT connection size and requires a 100 PSIG minimum pressure differential between inlet and outlet for operation. The EH50 offers many of the benefits of our EH40, but with the available option of an **integrated check valve**. The EH50 is an ideal choice for CNG equipment and applications, whether your system utilizes a single-line buffer or a 3-bank cascade filling scheme. The valve also features a cartridge that can be easily removed for maintenance. The Normally Closed EH50 valves must be mounted upright and vertical, while the Normally Open EH50 valves are universal mount. **Filters recommended for all applications.**

Dimensions



Normally Closed



Normally Open


					Reference Dimensions (inches)				
	Inlet/ Outlet	Electrical	Ship Weight (Aluminum Body)	Ship Weight (316 SS Body)	A	B	C	D	E
EH50-08 Normally Closed	1/2" NPT	1/2" NPT Conduit	4.25 lbs.	9.75 lbs.	2.0	6.6	2.5	3.0	ø3.00
EH50-08 Normally Open			4.50 lbs.	10.0 lbs.	2.0	7.3	2.5	3.0	ø3.00

EH50 SERIES 1/2" PIPE SIZE

How To Order

Base Model Number	Port Size	AC/DC Voltage and Hertz	Suffix Option Field (s)																						
EH50	08 08 1/2"	A024 24 / 60 A120 120 / 60 A240 240 / 60 D012 12 DC D024 24 DC D120 120 DC	<table border="1"> <tr><td>CK</td><td>Integrated Check Valve</td></tr> <tr><td>DN</td><td>Din Connector (Not Explosion Proof)</td></tr> <tr><td>GS</td><td>General Service (Not Explosion Proof)</td></tr> <tr><td>HY</td><td>Class 5 Leakage test with Helium</td></tr> <tr><td>NO</td><td>Normally Open</td></tr> <tr><td>OX</td><td>Oxygen Clean</td></tr> <tr><td>SS</td><td>316 SS Valve Body</td></tr> <tr><td>TC</td><td>Tube Connector</td></tr> <tr><td>VT</td><td>Viton O-Ring</td></tr> <tr><td>XP</td><td>22 Watt Coil (Higher Pressure)</td></tr> <tr><td>T5</td><td>Class 5 Leakage Test with Air</td></tr> </table>	CK	Integrated Check Valve	DN	Din Connector (Not Explosion Proof)	GS	General Service (Not Explosion Proof)	HY	Class 5 Leakage test with Helium	NO	Normally Open	OX	Oxygen Clean	SS	316 SS Valve Body	TC	Tube Connector	VT	Viton O-Ring	XP	22 Watt Coil (Higher Pressure)	T5	Class 5 Leakage Test with Air
CK	Integrated Check Valve																								
DN	Din Connector (Not Explosion Proof)																								
GS	General Service (Not Explosion Proof)																								
HY	Class 5 Leakage test with Helium																								
NO	Normally Open																								
OX	Oxygen Clean																								
SS	316 SS Valve Body																								
TC	Tube Connector																								
VT	Viton O-Ring																								
XP	22 Watt Coil (Higher Pressure)																								
T5	Class 5 Leakage Test with Air																								

Possible EH50 Options & Add-Ons

 Integrated Check Valve	 72" Lead Length	 Din Connector	 Screw Terminal	 1/4 Tab (spade)	 General Service	 Hydrogen Service	 Normally Open	 Oxygen Clean
 Stainless Steel Valve Body	 SAE Port	 Tube Connector	 Universal Mount	 NEMA 4X	 Class V Leakage Testing	 Stainless Steel Tags	 Viton O-Rings	 22 W Coil

The following are standard on the EH50:



Explosion Proof

Certifications



CRN - Canadian Registration Number


LDA
Solutions for Life

Hoge Buizen 53 -1980 EPPEGEM (BE)
 www.LDA.be - LDA@LDA.be
 +32(0) 2 266 13 13

CLARK COOPER
 SPECIALIZING IN ADVANCED APPLICATIONS

EH50 SERIES 1/2" PIPE SIZE

Construction

Valve Body:	7075-T6 Anodized Aluminum* / 316 SS
Piston:	PEEK
O Ring (Standard):	Buna-N (-50° to 225°F)
O Ring (Optional):	Viton (0° to 400°F)
Piston Rings / Seal:	302 SS / PTFE
Cartridge:	316 SS & 430 SS
Pilot / Seal:	303 SS / PTFE
Spring:	302 SS
Plunger:	430 SS
Bonnet Retainer:	430 SS
Cartridge Gasket:	Nylon
Optional Check Valve:	304 SS / PEEK

*Standard material

Pressure

Maximum pressures shown are measured in PSIG

	Normally Closed	Normally Open
AC Voltage (Standard 10 W):	7,500	7,500
AC Voltage (Higher Wattage 22 W):	10,000	-
DC Voltage (Standard 10 W):	3,500	2,500
DC Voltage (Higher Wattage 22 W):	5,000	5,700
Minimum Pressure Differential:	100	100

** For Oils and Hydraulic Fluids with viscosities greater than water, the maximum differential pressure is the value in the table divided by 2.

Flow

	Normally Closed	Normally Open
C _v	4.5	4.5

Standard Sealing Is Class 2, Per ANSI/FCI 92-2-2001

Electrical (Coil)

	Standard	High Wattage
Power:	10 Watts	22 Watts
AC Inrush:	1 amp @ 120V AC	2.5 amp @ 120V AC
AC Holding:	0.1 amp @ 120V AC	0.2 amp @ 120V AC
Insulation:	Class "F"	Class "H"
Duty:	Continuous	Continuous
Connection:	1/2" NPT, 18" Leads	1/2" NPT, 18" Leads
Enclosure		
Explosion Proof (Standard):	NEMA 3, 3S, 4, 4X, 7, 9	NEMA 3, 3S, 4, 4X, 7, 9
General Service:	NEMA 1, 2, 3, 3S, 4, 4X	NEMA 1, 2, 3, 3S, 4, 4X

Possible Media

									
General Gases & Light Liquids	Fuels & Light Oils	Flammable Gases	Hydrogen	Oxygen	Corrosives	Sea & Salt Water	Viscous Liquids	Steam	Cryogenics