



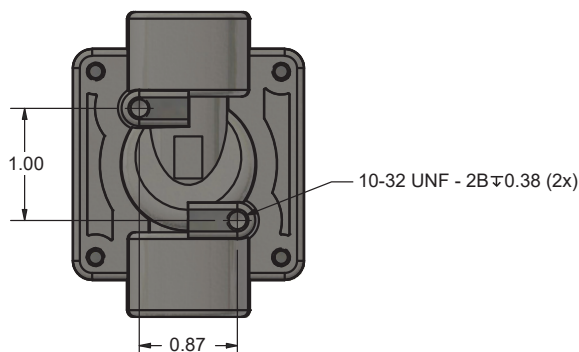
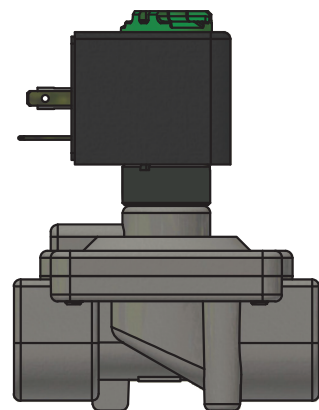
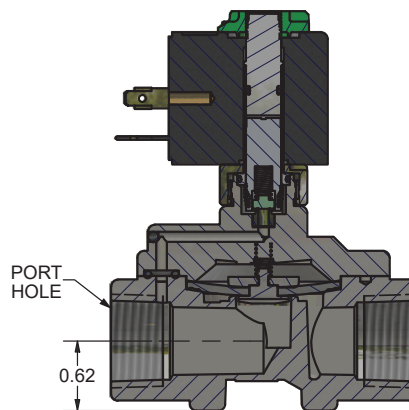
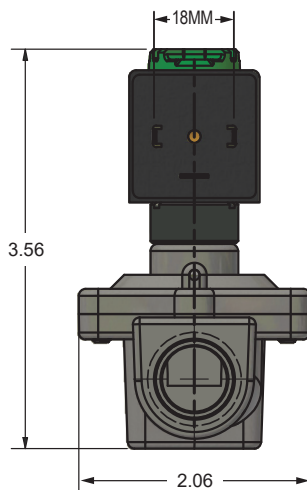
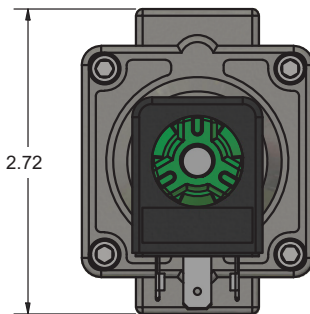
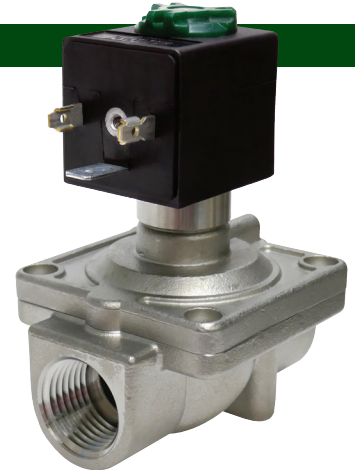
# Series 35G5

Diaphragm Process  
Air-Sol 2-Way

The Spartan Scientific Series 35G5 2-Way, 2-Position all stainless-steel solenoid diaphragm valve offers the highest flow for the smallest size in the industry, with the 316 stainless steel body and bonnet. The valve is designed from the ground up using modern design technologies and materials. Featuring a full flow 1/2" (12.5 mm) orifice, available in Normally Closed configurations. The rugged stainless steel body is media compatible, robust, and is designed to meet rigorous flow requirement up to 29 GPM @ 150 PSI water. The body is available in 1/4", 3/8" and 1/2" NPT, and the low wattage solenoid features a DIN Style "A" EN175301-803 (Formerly DIN 43650) electrical interface and is nylon encapsulated. FKM, NBR and EPDM are standard elastomers, and the operators are made of stainless steel with copper shading rings for AC versions. Typical applications include control of inert gases, water, and compatible fluids.

## Dimensional Data

ALL DIMENSIONS ARE IN INCHES UNLESS OTHERWISE NOTED



DIFFERENTIAL PRESSURE CHART (for Water)	
Port Size NPT	GPM @ 220 psi
1/4"	21
3/8"	25
1/2"	29



# Series 35G5

Diaphragm Process  
Air-Sol 2-Way

## Technical Data

**Function:** 2-Way, 2-Position; Internal Pilot Solenoid Operated; Normally Closed

**Port Size:** 1/4" NPT  
3/8" NPT  
1/2" NPT

**Orifice Sizes / Flow Factor:** 1/2" / 2.45 Cv

**Pressure Range:** 10 to 220 PSI

**Temp. Range:** Fluid Max.: +60°C  
Dry Range: Ambient +10°C to +50°C

**Response Time:** 20 to 80ms Complete Cycle

**Media:** Air, light oils, water  
(contact factory for compatibilities)

**Manual Override:** Turn lock (Normally Open version only)

**Environment** IP65 (IEC 144), NEMA 4

**Protection:** Dust-tight and water resistant (with electrical connector)

**Mounting:** (2x) #10-31 x 0.38" DP or on pipe

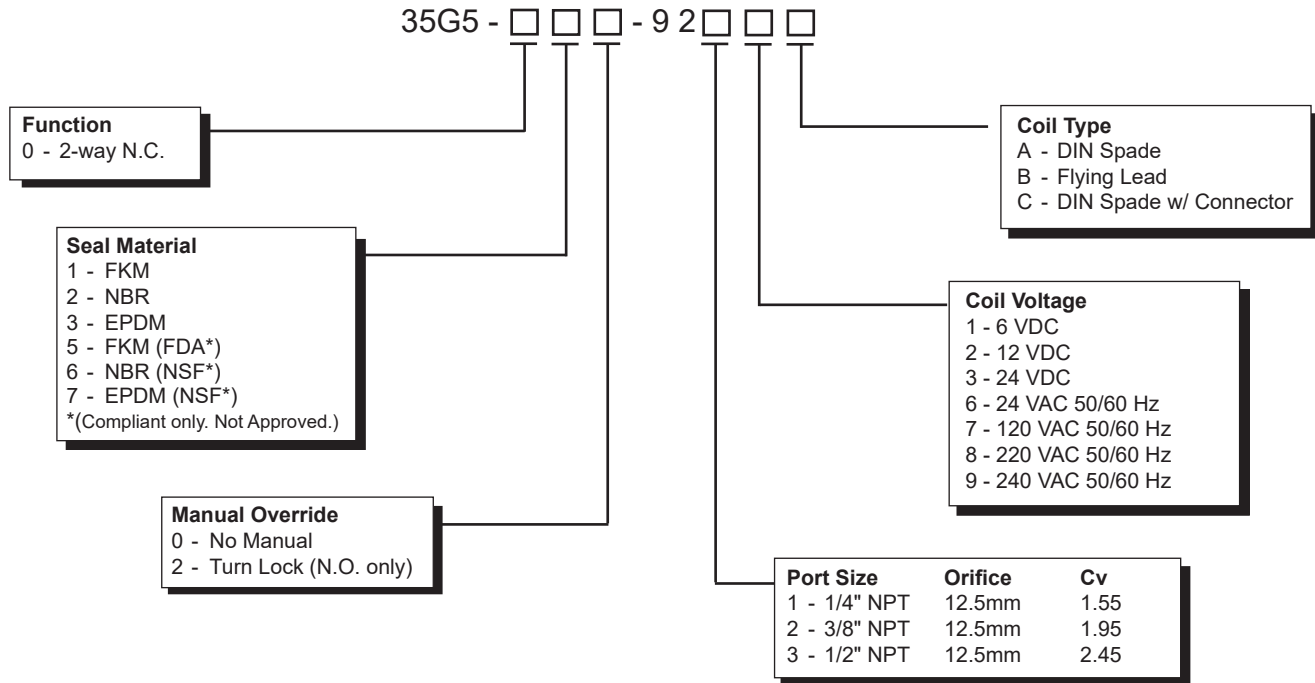
**Wetted Materials:** Elastomers: FKM, NBR, EPDM, FKM FDA\*, NBR NSF\*, EPDM NSF\* - Compliant  
Operator: 300 and 400 Series Stainless Steel  
Shading Ring: Copper  
(Others available on request. AC only)  
Springs: 300 Series Stainless Steel  
Valve Body: 316 Stainless Steel  
(suitable for potable water applications)

**Coil Data:** Duty Cycle: Continuous (within specifications)  
Encapsulation: Glass-Filled Nylon  
Insulation: Class F  
Power Rating: 6.5 Watts (VDC)  
8.5 VA (VAC)  
Voltage: 6, 12, 24 VDC  
24, 120, 220, 240 VAC 50/60 Hz  
Voltage Tolerance: +/- 10% Nominal  
Windings: Class H

**Connections:** Spades: Accordance with DIN Style "A" EN175301-803  
Flying Lead: PVC 22 AWG, Multi-Strand Copper Wire, 300V, 12" minimum length

**Packaged Weight:** 1.25 lbs.

## How To Order



Repair Kits	
Specify Part Number	
FKM	35G5-01-0001
NBR	35G5-B1-0001
EPDM	35G5-E1-0001

Order Example: 35G5-010-9217A  
FKM, No Override, 1/4" NPT,  
120 VAC 50/60 Hz, DIN Spade