



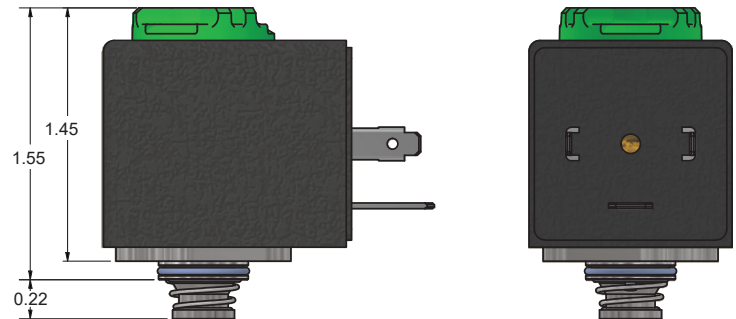
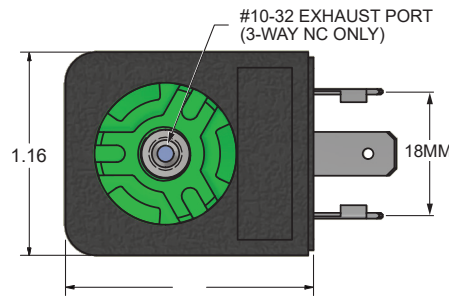
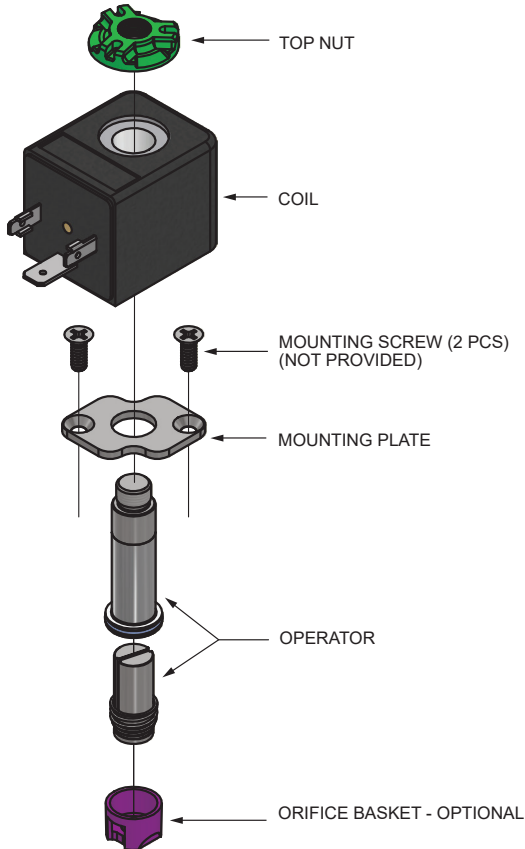
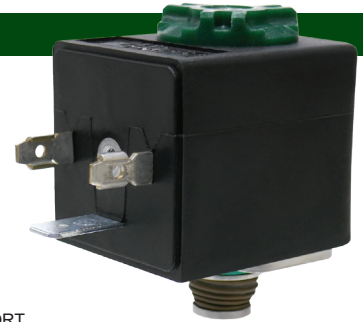
Series 5000

Solenoid Operators
Air-Sol 2-Way & 3-Way

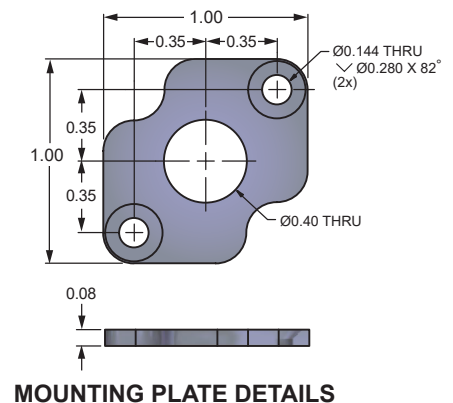
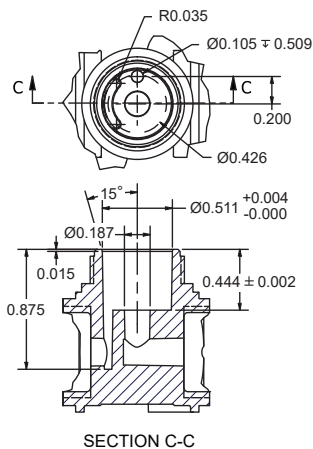
The Spartan Scientific Series 5000 solenoid valve operators are used as 2-Way & 3-Way, 2-Position Normally Closed or Normally Open, functions for the control of air, light oil, water, and inert gases. The robust design incorporates all stainless-steel stop, plunger and tube assembly as well as spring compensated seats for long trouble-free life. Available in 0.6mm (0.025 Cv) to 4.0mm (0.45 Cv) orifice sizes, the 5000 can control a broad range of flow and pressure ratings. Standard elastomers are FKM, NBR and EPDM along with NSF seal options. The class F coils are all nylon encapsulated, 100% duty, all standard voltage and are available in DIN Style "A" EN175301-803 (Formerly DIN 43650), flying lead, 1/2" conduit.

Dimensional Data

ALL DIMENSIONS ARE IN INCHES UNLESS OTHERWISE NOTED



Orifice Basket / Armature Cavity Details





Series 5000

Solenoid Operators
Air-Sol 2-Way & 3-Way

Technical Data

Function:	2-Way, 2-Position; Direct Acting; Normally Closed 3-Way, 2-Position; Direct Acting; Normally Closed	Environment	IP65 (IEC 144), NEMA 4
Orifice Sizes / Flow Factor:	0.6mm / 0.025 Cv 0.8mm / 0.035 Cv 1.0mm / 0.05 Cv 1.2mm / 0.065 Cv 1.5mm / 0.08 Cv 2.0mm / 0.17 Cv 2.4mm / 0.24 Cv 3.0mm / 0.31 Cv 4.0mm / 0.45 Cv	Protection:	Dust-tight and water resistant (with electrical connector)
Pressure Range:	Vacuum to 325 psi (depending on orifice size and function)	Wetted Materials:	Elastomers: FKM, NBR, EPDM, FKM FDA*, NBR NSF*, EPDM NSF* - Compliant (others available on request) Armature Assembly: 300 and 400 Series Stainless Steel Springs: 300 Series Stainless Steel
Temp. Range:	Fluid Max.: +60°C Dry Range: Ambient +10° to +50°C	Coil Data:	Duty Cycle: Continuous (within specifications) Encapsulation: Glass-Filled Nylon Insulation: Class F Power Rating: 6.5 Watt, 8.5VA VAC (others available on request) Voltage: 16, 12, 24 VDC 24, 120, 220, 240 VAC 50/60 Hz Voltage Tolerance: +/- 10% Nominal Winding: Class H
Response Time:	12 - 14ms Complete Cycle	Connections:	Spades: Accordance with DIN Style "A" EN175301-803 Flying Lead: PVC 22 AWG, Multi-Strand Copper Wire, 300V, 12" minimum length
Media:	Air, inert gases, light oil, water	Packaged Weight:	0.20 lbs.
Mounting:	Flange plate, #6 screws (2)		

SOLENOID OPERATORS

ORIFICE SIZE / VOLTAGE

FUNCTION	0.6mm		0.8mm		1.0mm		1.2mm		1.5mm		2.0mm		2.4mm		3.0mm		4.0mm	
	AC	DC	AC	DC	AC	DC	AC	DC	AC	DC	AC	DC	AC	DC	AC	DC	AC	DC
	2/2 NC	200	200	200	200	200	200	200	200	200	200	180	180	150	150	120	120	100
2/2 NO	N/A	N/A	N/A	N/A	N/A	N/A	N/A	N/A	N/A	N/A	N/A	N/A	N/A	N/A	N/A	N/A	N/A	N/A
3/2 NC	200	200	200	200	200	200	200	200	150	150	120	120	100	100	80	80	50	50
3/2 NO	N/A	N/A	N/A	N/A	N/A	N/A	N/A	N/A	N/A	N/A	N/A	N/A	N/A	N/A	N/A	N/A	N/A	N/A

MAX. PRESSURE RANGE (psi)

How To Order

5000 - 0 0 2 - Z

Seal Material

- 1 - FKM
- 2 - NBR
- 3 - EPDM
- 5 - FKM (FDA*)
- 6 - NBR (NSF*)
- 7 - EPDM (NSF*)

*(Compliant only. Not Approved.)

Orifice	Cv
1 - No orifice basket	
A - 0.6mm	0.025
B - 0.8mm	0.035
C - 1.0mm	0.05
D - 1.2mm	0.065
E - 1.5mm	0.08
G - 2.0mm	0.17
H - 2.4mm	0.24
J - 3.0mm	0.31
K - 4.0mm	0.45

Materials in Contact with Media

- A - Stainless Steel / Body Material / Seal Material
- C - ElectroPolished Stainless steel / Acetal / PEI

Coil Type

- A - DIN Spade
- B - Flying Lead
- C - DIN Spade w/ Connector

Coil Options

- 1 - 6 VDC
- 2 - 12 VDC
- 3 - 24 VDC
- 6 - 24 VAC 50/60 Hz
- 7 - 120 VAC 50/60 Hz
- 8 - 220 VAC 50 Hz
- 9 - 240 VAC 60 Hz

Function

- A - 2-Way N.C.
- B - 3-Way N.C.
- C - 2-Way N.O. Stem Ported
- D - 3-Way N.O. Stem Ported

Order Example: 5000-1E002-AAZ2A
FKM, 1.5mm orifice, Stainless Steel / Body Material / Seal Material, 2-Way N.C., 12 VDC, DIN Spade.



Hoge Buizen 53 -1980 EPPEGEM (BE)
www.LDA.be - LDA@LDA.be
+32(0) 2 266 13 13